



KENWORTH
THE WORLD'S BEST



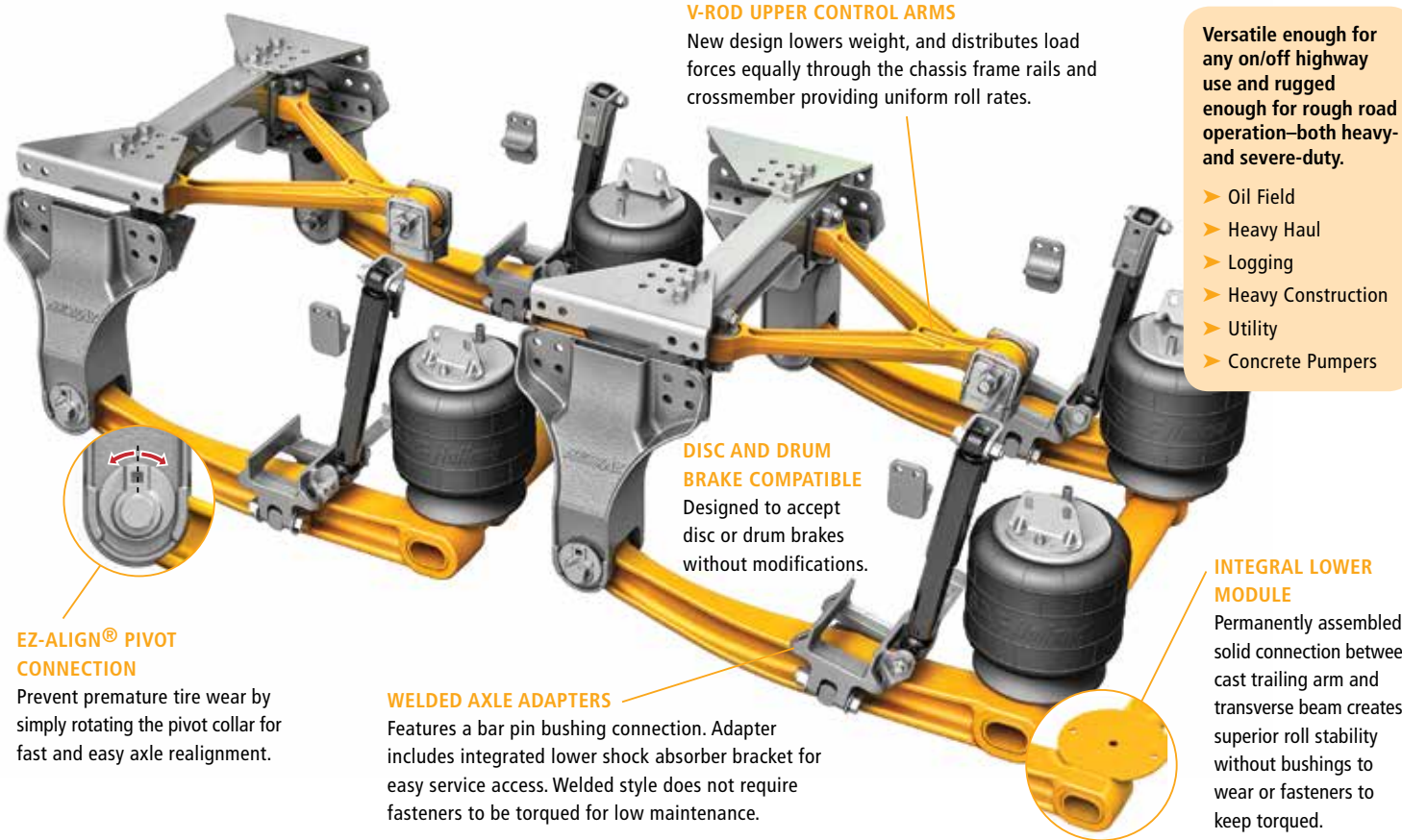
NEWAY
SAF-HOLLAND Group

ADZ SERIES TRUCK SUSPENSION

SAFHolland
Engineering Your Road to Success

NEWAY ADZ SERIES TRUCK SUSPENSION – TOUGH MEET TOUGHER

With 54% more durability and 27% more roll stability, the ADZ Series Truck Suspension *not only* outperforms the AD Series, it's **250 lbs.* lighter per axle**.



V-ROD UPPER CONTROL ARMS
New design lowers weight, and distributes load forces equally through the chassis frame rails and crossmember providing uniform roll rates.

Versatile enough for any on/off highway use and rugged enough for rough road operation—both heavy- and severe-duty.

- ▶ Oil Field
- ▶ Heavy Haul
- ▶ Logging
- ▶ Heavy Construction
- ▶ Utility
- ▶ Concrete Pumps

DISC AND DRUM BRAKE COMPATIBLE
Designed to accept disc or drum brakes without modifications.

INTEGRAL LOWER MODULE
Permanently assembled solid connection between cast trailing arm and transverse beam creates superior roll stability without bushings to wear or fasteners to keep torqued.

WELDED AXLE ADAPTERS
Features a bar pin bushing connection. Adapter includes integrated lower shock absorber bracket for easy service access. Welded style does not require fasteners to be torqued for low maintenance.

EZ-ALIGN® PIVOT CONNECTION
Prevent premature tire wear by simply rotating the pivot collar for fast and easy axle realignment.



SINGLE AXLE
23,000 lbs. / 26,000 lbs.
(10,433 kg / 11,793 kg)



TANDEM AXLE
46,000 lbs. / 52,000 lbs.
(20,865 kg / 23,587 kg)



TRIDEM AXLE
69,000 lbs. / 78,000 lbs.
(31,298 kg / 35,380 kg)

SPECIFICATIONS

	ADZ-123	ADZ-126	ADZ-246	ADZ-252	ADZ-369	ADZ-378
Capacity (lbs.)	23,000	26,000	46,000	52,000	69,000	78,000
Weight (lbs.)*	588	626	1177	1253	1764	1878
Axle Configuration	Single	Single	Tandem	Tandem	Tridem	Tridem
Ground Clearance	11"	11"	11"	11"	11"	11"
Site Travel Rating (lbs.)**	30,250	33,000	60,500	66,000	90,750	99,000

* Weight includes all components as shown in above picture for a 10" ride height, other configurations may change weight.
** Vehicle operation is limited to no more than 5% of total vehicle operation and a maximum speed not to exceed 5 MPH. Site travel ratings for ADZ Series suspensions are limited to the load capacity of the air springs, based on an available 110 PSIG at the air springs.

Note: Equipment and specifications shown in this brochure are subject to change without notice.
Consult with your Kenworth dealer at time of ordering for standard and optional equipment.



KENWORTH TRUCK COMPANY
P.O. Box 1000
Kirkland, Washington 98083-1000
(425) 828-5000

CANADIAN KENWORTH COMPANY
6711 Mississauga Road N.
Mississauga, Ontario L5N4J8
(905) 858-7000

